

Product Model Number  
**DWV303**  
Vesta Compact Dishwasher

**Installation Location:**

- This dishwasher is approved for built-in installations.
- Air Space Requirements: 5/16" on sides, 1" on top/bottom and 2" in back (from the case). Additional installation spacing needs to be considered for easy installation, servicing, and compliance with state and federal codes.
- This dishwasher must be installed on a solid, level surface.
- When locating in a towable trailer or watercraft, position the machine over the axles or midship where movement is at a minimum. Block unit in to prevent extreme movement.

**Electrical Requirements:**

- Machine Voltage/Amperage: 120V, 60 Hz, 10.6 Amp/1280W Total
- Connection: 3-prong plug with 6' (182.8 cm) cord is provided with unit.
- Circuit Protector: Provide separate 15 Amp. circuit.

**Incoming Water Pressure:**

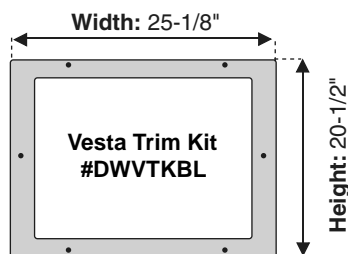
- Between 10 and 145 psi (.05 and 10 bar) for best operating results

**Countertop Installation Requirements:**

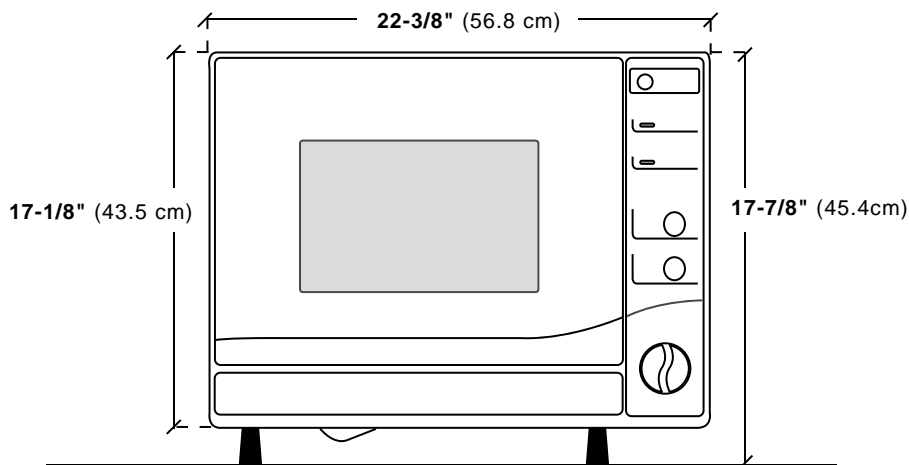
- Needs a minimum height clearance of 18" (45.7 cm) from countertop surface to overhead cabinets.
- Vesta Quick Connect Faucet Adapter Kit #DWVCTHK (5' Length) includes a fill and drain hose assembly that allows for a direct faucet connection. See complete installation instructions in owners manual.

**Built-In Installation Requirements:**

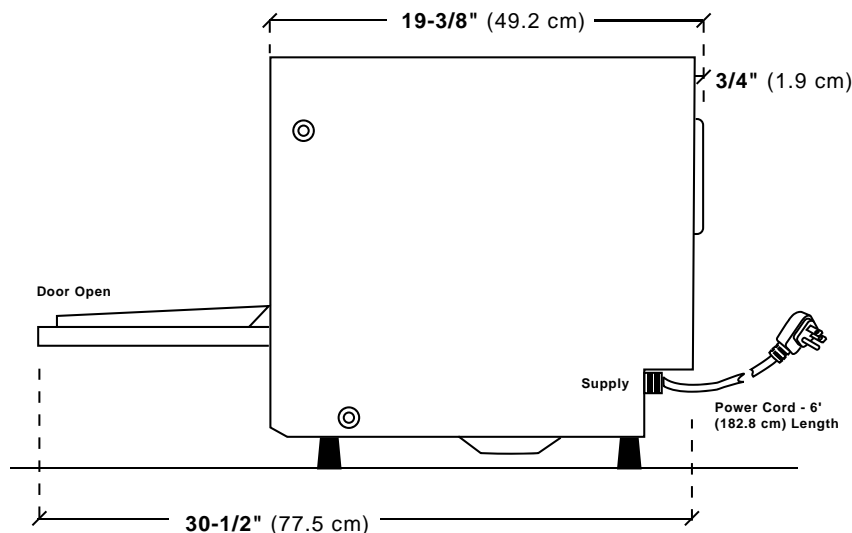
- This dishwasher may be built-in using Vesta Built-In Hose Kit #DWVBIHK (Lengths: 7-1/2' Inlet Hose, 4' Outlet Hose) and Vesta Built-In Trim Kit #DWVTKBL (below). See complete installation instructions in owners manual.
- Cutout Dimensions: Min. 18-7/8" High x Min. 23" Wide x Min. 21" Deep.
- Water Drainage Options: Standpipe drain system or sink drainpipe system.



**Front View (not to scale)**



**Side View (not to scale)**



**Rear View (not to scale)**

